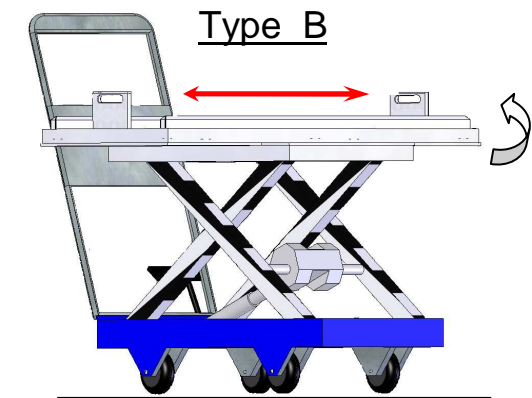
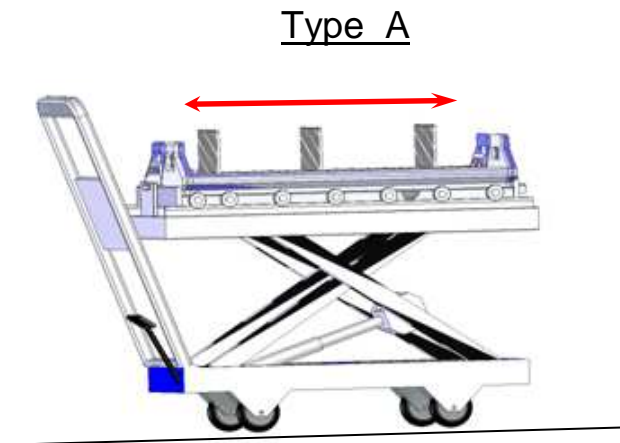


## SPRAY CLEANER

Hand lift for the transport of  
boats / carriers



Dear Ms /Mr

We are pleased to introduce to you a **new concept** designed to **make the handling of boats / carriers more comfortable** and thus provides a new more convenient way of working with our Spray Cleaner.

The hand lift can be easily adjusted to any individual working height.

**The boats / carriers do not have to be lifted out anymore** but can easily be pushed into the Spray Cleaner and in the same way removed after the process.

The handling procedure at the drying chamber is similarly improved.

**Additionally** we are offering a **separate workstation** to disassemble the boats and also an **interim storage rack**.

This makes handling much easier and faster, helps to **reduce the turnaround time** and **reduces** the opportunity for **errors**.

The integrated guide rails on the hand lift and on the interim storage rack alleviate working considerably, ensuring a secure foothold and **minimizes damage by mishandling**.

Furthermore the **guide rail system increases the safety standard** for your operators.

Between each step of production the boats / carriers can simply and safely be transported on the trolley.

This **reduces physical contact** to a minimum and thereby **increases occupational safety**.

**You may reach the higher throughput at lower labor costs** which guarantees a **short payback period**.

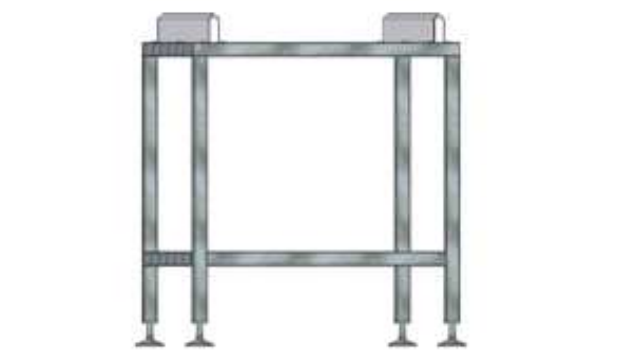
**You save operational hours and money!**

The trolley is available in two versions: standard type A and type B with special design for narrow surroundings.

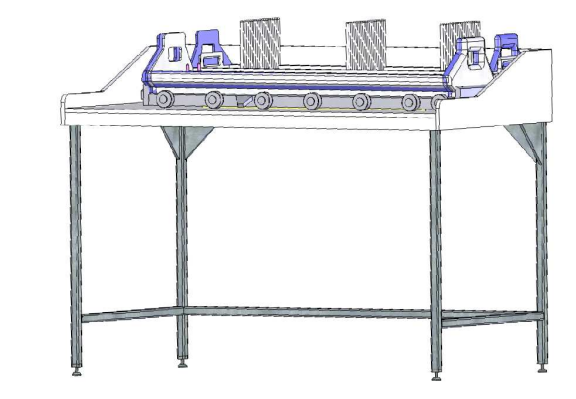
We will be pleased to work out an individual quotation and to answer your questions.

Please do not hesitate to contact us.

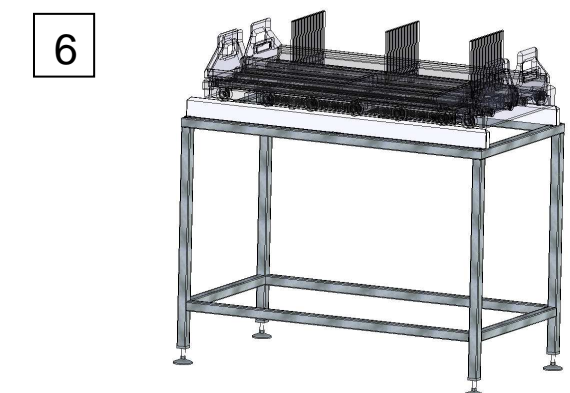
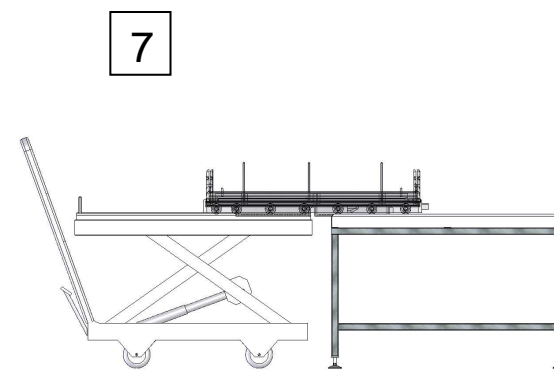
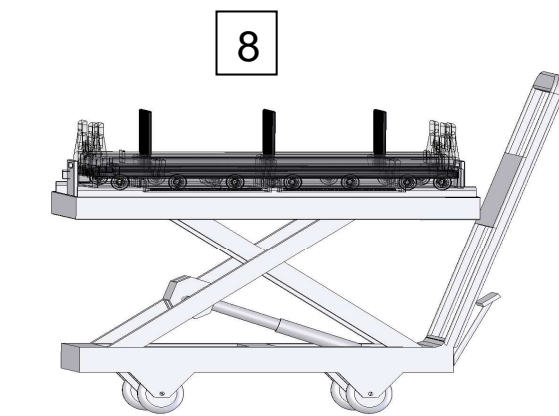
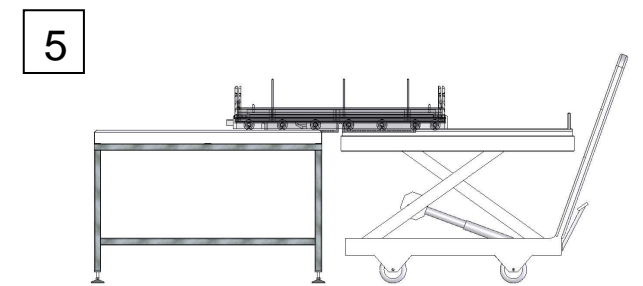
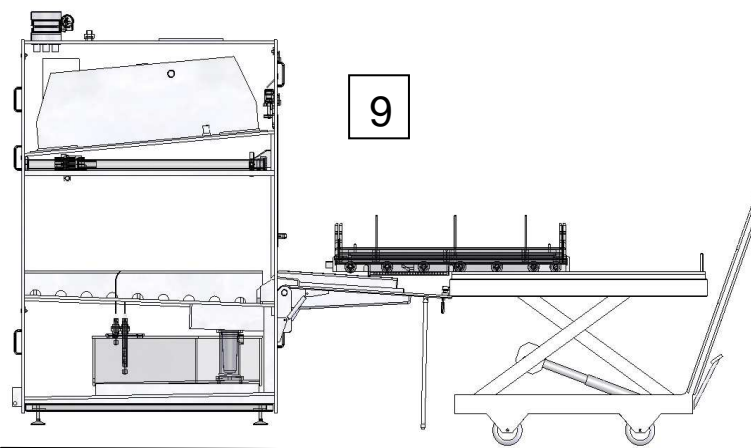
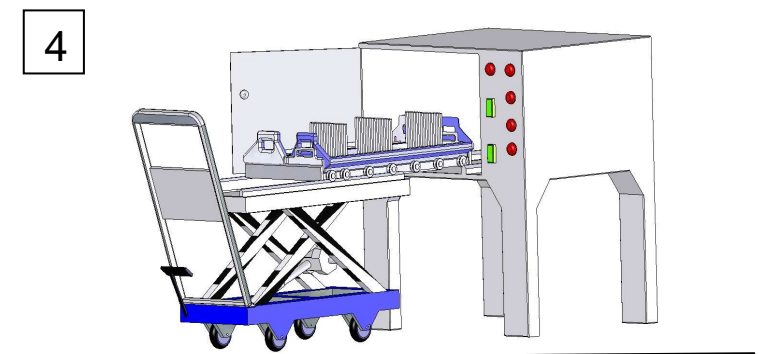
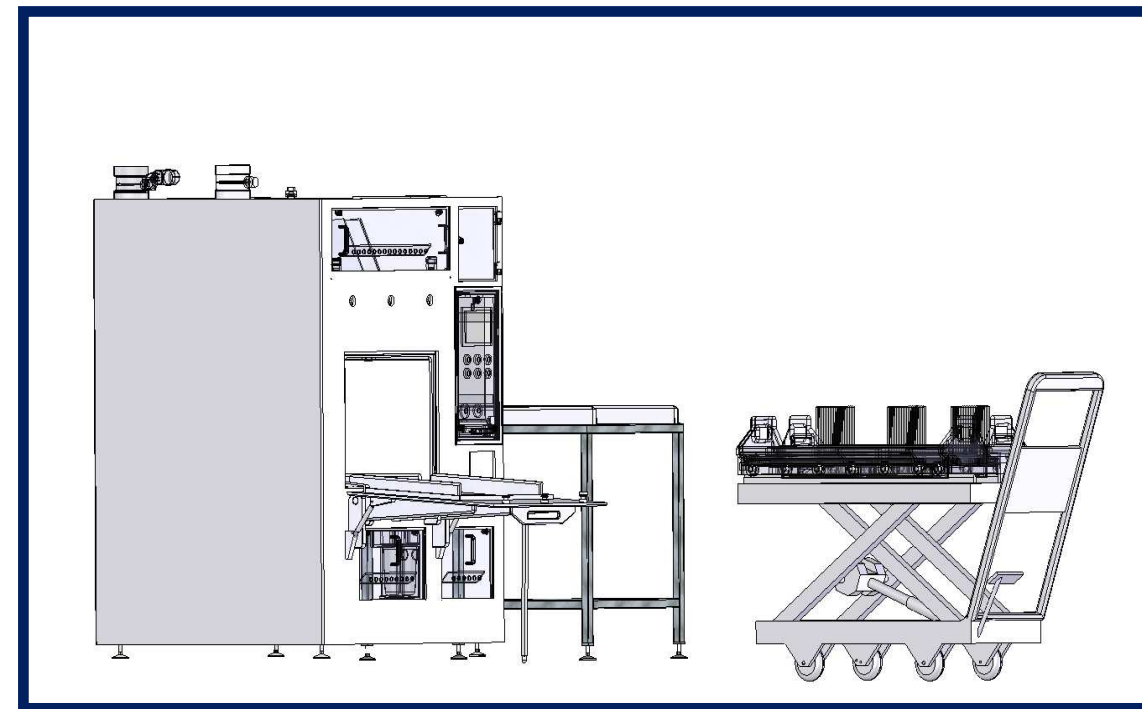
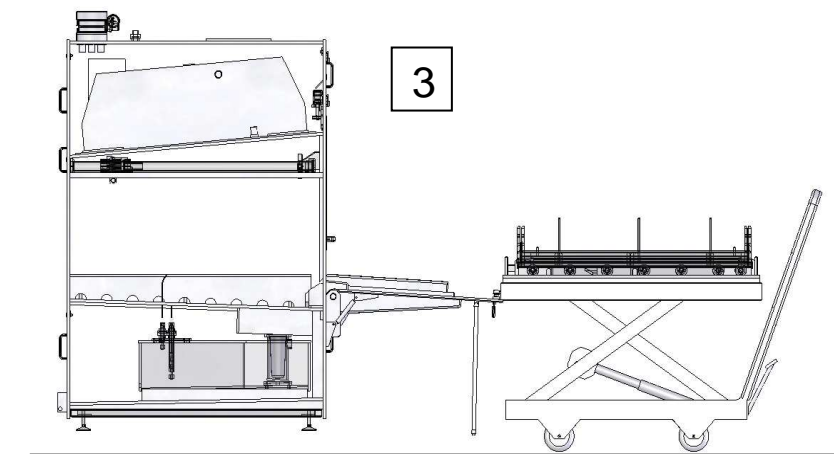
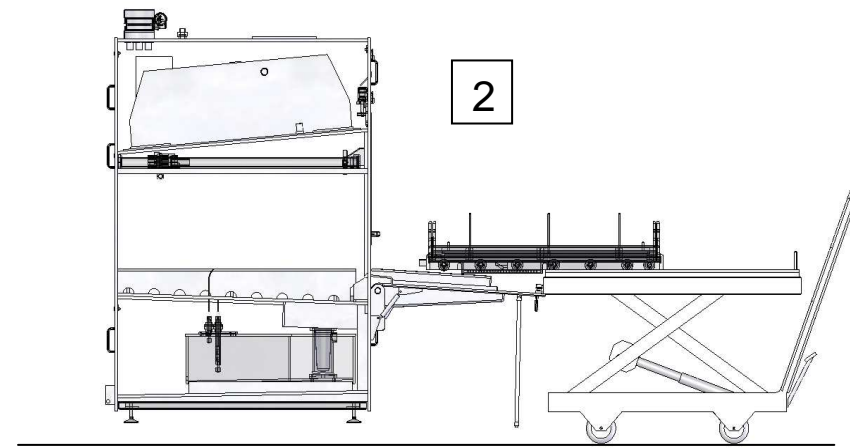
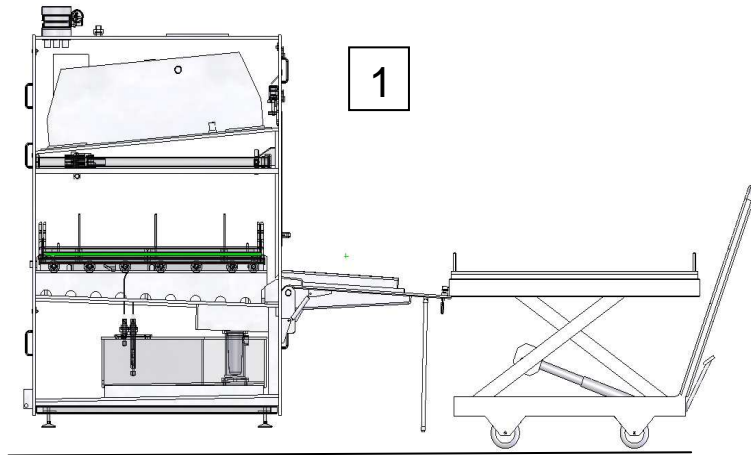
storage rack



separate work station



⇒ Demonstration



⇒ Contact

## Daniel Kleinstück

Manager Service

Phone +49 7704 9233-34

Mobile +49 172 7440164

Fax +49 7704 9233-60

[daniel.kleinstueck@lotussystems.de](mailto:daniel.kleinstueck@lotussystems.de)

## Andreas Dietrich

Sales Manager

Phone +49 7704 9233-41

Mobile +49 172 7889422

Fax +49 7704 9233-60

[andreas.dietrich@lotussystems.de](mailto:andreas.dietrich@lotussystems.de)

